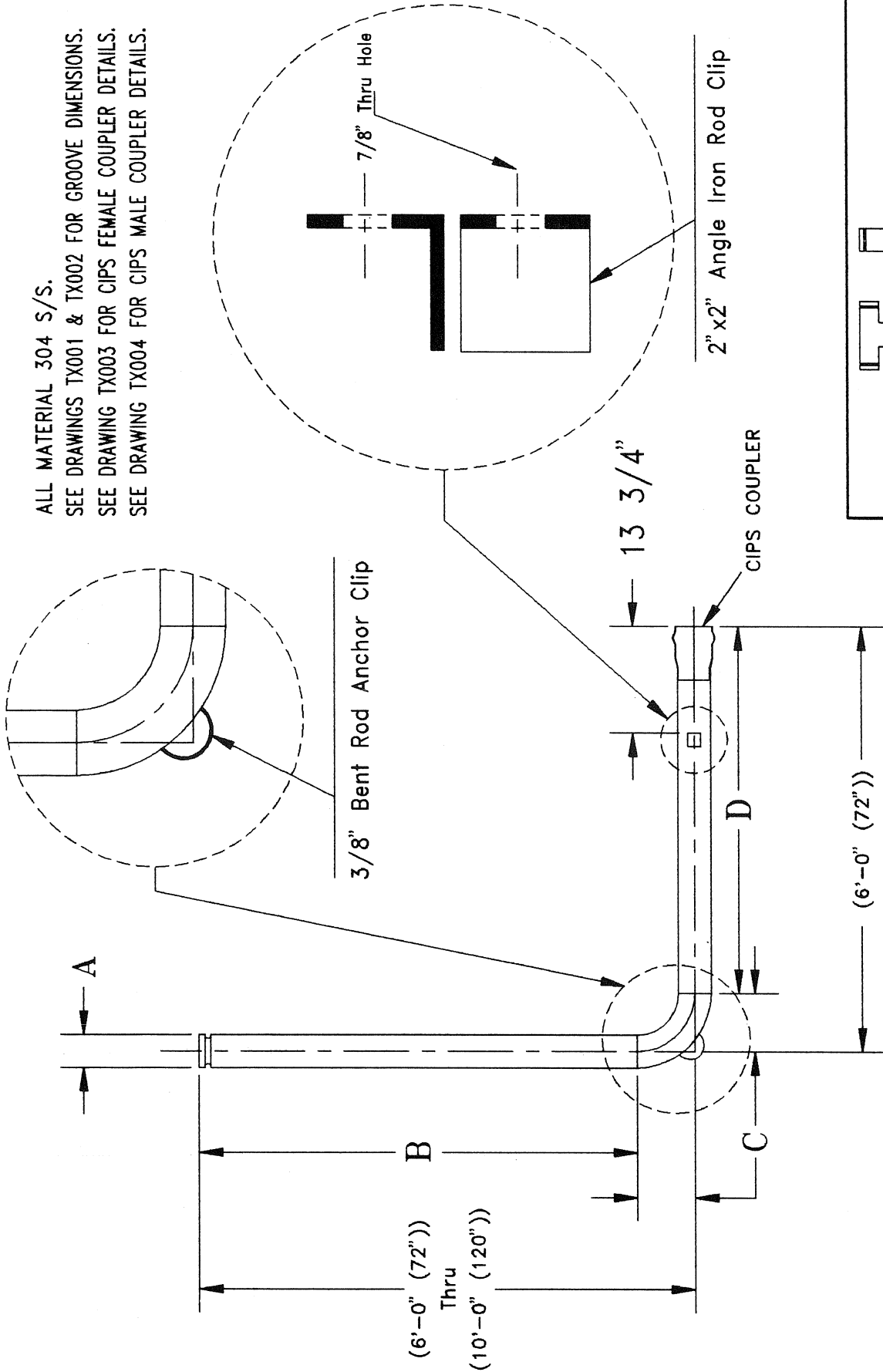
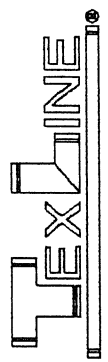


ALL MATERIAL 304 S/S.
 SEE DRAWINGS TX001 & TX002 FOR GROOVE DIMENSIONS.
 SEE DRAWING TX003 FOR CIPS FEMALE COUPLER DETAILS.
 SEE DRAWING TX004 FOR CIPS MALE COUPLER DETAILS.



DIMENSIONS

| Size | A | B | C | D | Weight |
|------|-----------|------------|-----|-----|----------|
| 4" | 4 1/2" OD | 66" - 114" | 6" | 66" | 68 lbs. |
| 6" | 6 5/8" OD | 63" - 111" | 9" | 63" | 106 lbs. |
| 8" | 8 5/8" OD | 60" - 108" | 12" | 60" | 146 lbs. |

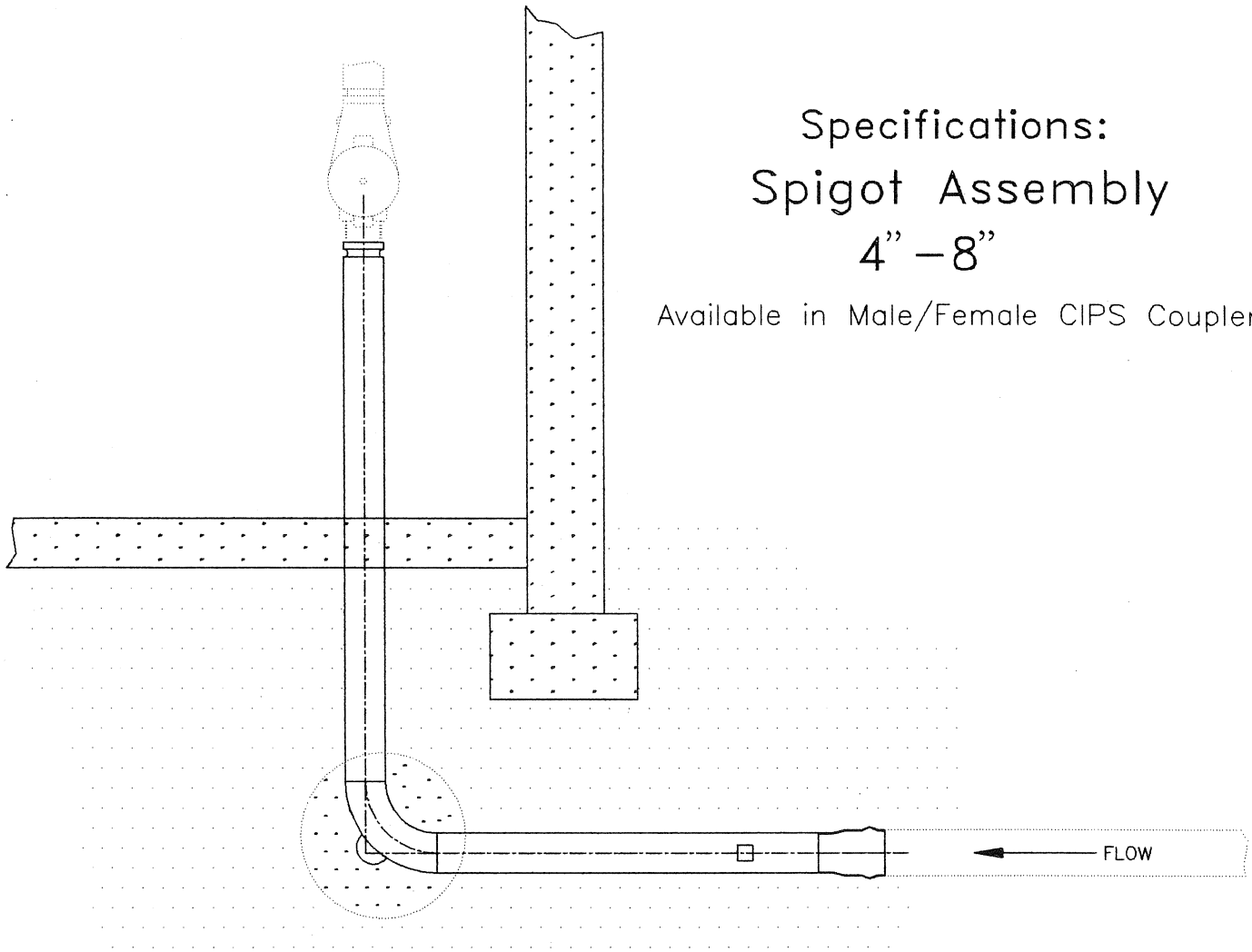
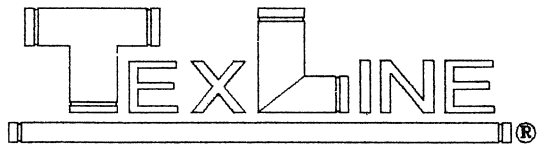


TEXAS MANUFACTURING
 Whitesboro, Texas

Part Name: **Spigot Assembly 4" - 8"**

Date: 04/09/98
 Rev: _____

1075FSS
 Drawing No. 1
 Rev. 1



Specifications:
Spigot Assembly
4" - 8"

Available in Male/Female CIPS Coupler.

Standard Features:

- * UL Listed
- * Stainless Steel Construction
- * Light Weight, Easy to Install

The Spigot Assembly shall be composed of an extended 90 degree fitting of fabricated 304 stainless steel tubing, maximum working pressure of 175 PSI. The fitting shall have a grooved-end connection on the outlet (building) side and a male or female CIPS coupler on the underground (inlet) side.

The fitting shall be similar in all aspects to the Spigot Assembly as manufactured in the U.S.A. by Texas Manufacturing Company, Whitesboro, Texas or approved equal.

The Spigot Assembly is used to connect the main fire supply to the building overhead fire system. The fitting passes under the foundation and extends up through the floor. The unit has a CIPS coupler for easy connection to the underground supply and an industry standard grooved-end connection on the building side for easy connection to the overhead fire sprinkler system.